

Vehicle Maintenance Regulations & Driver Vehicle Inspection Reports

July 20, 2018

Presented By | John T. Flanagan, CDS, CDT



OBJECTIVES

- Purpose of the regulations
- Carrier responsibilities and Driver responsibilities
- Reporting and recordkeeping requirements
- Types of inspections
- Qualifications of Inspectors



PURPOSE OF THE REGULATIONS

- Primary purpose of the regs is to ensure all commercial vehicles (CMV'S) are kept in safe operating condition
- 49 CFR 396.3 requires the methods used are **Systematic** in nature. This is a most important consideration
- How to show your system is Systematic?
 - Regularly scheduled
 - Adequate to prevent accidents and breakdowns
 - Covers all vehicles under carrier's control
 - Sufficient detail to show all work performed
- Applies to all vehicles operating under carrier's authority, including Owner Operators
 - Maintenance records required
 - Monthly recap or other means to obtain

The image shows a 'REPAIR ORDER' form. At the top, it has checkboxes for 'REPAIR ORDER', 'INSPECTION', 'DIAGNOSIS', and 'OTHER LIST READING'. Below this are fields for 'VEHICLE MAKE', 'VEHICLE MODEL', 'VEHICLE YEAR', 'VEHICLE VIN', 'VEHICLE LICENSE', and 'VEHICLE COLOR'. There is a section for 'INSTRUCTIONS'. The main part of the form is a table with columns: 'PART NO.', 'DESCRIPTION', 'PART PRICE', 'LABOR COST', 'TOTAL COST', 'EMPLOYEE NAME OR NUMBER', 'DESCRIPTION OF WORK PERFORMED', and 'REVISIONS'. Below the table are fields for 'CUSTOMER', 'ADDRESS', 'CITY', 'STATE', 'ZIP', 'PHONE', 'FAX', 'TOTAL PARTS \$', 'TOTAL LABOR \$', 'TOTAL INVOICE \$', and 'APPROVED BY'. There is a red stamp in the bottom right corner.



CARRIER & DRIVER RESPONSIBILITIES

Carriers – The regulations require:

*“It is the responsibility of the motor carrier or intermodal equipment provider to ensure that **all parts and accessories on commercial motor vehicles** intended for use in interstate commerce for which they are responsible are maintained at, or promptly repaired to, the minimum standards set forth in appendix G to this subchapter.”*

Drivers

An important participant in vehicle maintenance. Their daily observations provide timely notice of defects to be corrected.



DRIVER INSPECTIONS

Post Trip Inspection Report 396.11

- Every carrier must require its drivers to prepare a daily written post-trip inspection report at the end of each driving day
- Every driver is responsible for preparing such a report for each vehicle driven
- Defects noted need to be corrected by carrier
- Audit implications for those items not repaired



DRIVER'S VEHICLE INSPECTION REPORT

Driver's Vehicle Inspection Report

Check ANY Defective Item and Give Details under "Remarks."

DATE: _____

TRUCK/TRACTOR NO. _____

- | | | |
|--|--|--|
| <input type="checkbox"/> Air Compressor | <input type="checkbox"/> Horn | <input type="checkbox"/> Springs |
| <input type="checkbox"/> Air Lines | <input type="checkbox"/> Lights | <input type="checkbox"/> Starter |
| <input type="checkbox"/> Battery | Head – Stop | <input type="checkbox"/> Steering |
| <input type="checkbox"/> Brake Accessories | Tail – Dash | <input type="checkbox"/> Tachograph |
| <input type="checkbox"/> Brakes | Turn Indicators | <input type="checkbox"/> Tires |
| <input type="checkbox"/> Carburetor | <input type="checkbox"/> Mirrors | <input type="checkbox"/> Transmission |
| <input type="checkbox"/> Clutch | <input type="checkbox"/> Muffler | <input type="checkbox"/> Wheels |
| <input type="checkbox"/> Defroster | <input type="checkbox"/> Oil Pressure | <input type="checkbox"/> Windows |
| <input type="checkbox"/> Drive Line | <input type="checkbox"/> On-Board Recorder | <input type="checkbox"/> Windshield Wipers |
| <input type="checkbox"/> Engine | <input type="checkbox"/> Radiator | <input type="checkbox"/> Other |
| <input type="checkbox"/> Fifth Wheel | <input type="checkbox"/> Rear End | |
| <input type="checkbox"/> Front Axle | <input type="checkbox"/> Reflectors | |
| <input type="checkbox"/> Fuel Tanks | <input type="checkbox"/> Safety Equipment | |
| <input type="checkbox"/> Heater | Fire Extinguisher | |
| | Flags – Flares – Fuses | |
| | Spare Bulbs & Fuses | |
| | Spare Seal Beam | |

TRAILER(S) NO (S). _____

- | | | |
|--|---------------------------------------|------------------------------------|
| <input type="checkbox"/> Brake Connections | <input type="checkbox"/> Hitch | <input type="checkbox"/> Tarpaulin |
| <input type="checkbox"/> Brakes | <input type="checkbox"/> Landing Gear | <input type="checkbox"/> Tires |
| <input type="checkbox"/> Coupling Chains | <input type="checkbox"/> Lights – All | <input type="checkbox"/> Wheels |
| <input type="checkbox"/> Coupling (King) Pin | <input type="checkbox"/> Roof | <input type="checkbox"/> Other |
| <input type="checkbox"/> Doors | <input type="checkbox"/> Springs | |

Remarks: _____

Condition of the above vehicle is satisfactory

Driver's Signature _____

Above Defects Corrected

Above Defects Need NOT Be Corrected For Safe Operation Of Vehicle

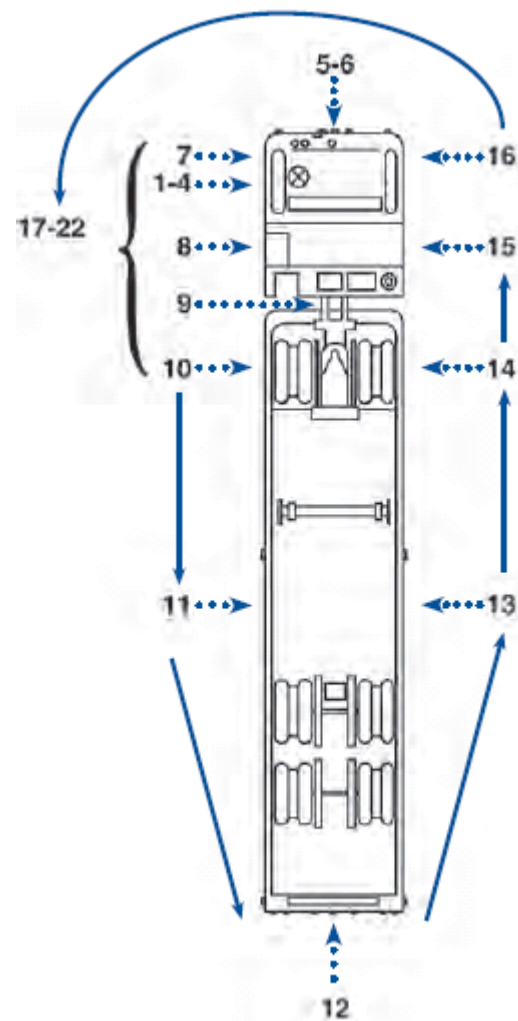
Mechanic's Signature _____ Date _____

Driver's Signature _____ Date _____



DRIVER INSPECTION

- Vehicle is in safe operating condition
- Review last DVIR
- Sign the report



ROADSIDE INSPECTIONS

Under 396.9

- Driver must send reports to the company
- Certify form within 15 days
- Retain for 12 months



OUT OF SERVICE INSPECTIONS

If your vehicle is placed Out of Service – Can it be moved?



PERIODIC INSPECTIONS

FMCSA “Annual Inspection” Under 396.17

- Every CMV must be inspected
- Inspection standards listed in Appendix G of FMCSR



The image shows a detailed 'ANNUAL VEHICLE INSPECTION REPORT' form. The form is organized into several sections with red headers. At the top, it includes fields for 'DATE', 'PLATE NUMBER', and 'VIN'. Below this, there are sections for 'VEHICLE IDENTIFICATION', 'VEHICLE COMPONENTS INSPECTED', and 'INSPECTION RESULTS'. The 'VEHICLE COMPONENTS INSPECTED' section is a large table with multiple columns and rows, each containing a specific inspection item and a corresponding checkbox for 'PASS' or 'FAIL'. The items include: 1. General Vehicle (Braking System, Steering, Suspension, etc.), 2. Lights (Headlights, Taillights, etc.), 3. Tires (Tread, Sidewall, etc.), 4. Brakes (Front, Rear, etc.), 5. Steering (Steering Wheel, etc.), 6. Suspension (Springs, Shock Absorbers, etc.), 7. Electrical System (Battery, Lights, etc.), 8. Safety (Seat Belts, etc.), 9. Other (Windshield, etc.). The bottom of the form contains a section for 'INSPECTION RESULTS' with checkboxes for 'PASS', 'FAIL', and 'DEFERRED', and a space for 'REMARKS'. A note at the bottom states: 'CONTRIBUTOR: This vehicle has passed all the inspection items for the Annual Vehicle Inspection in accordance with 49 CFR Part 396.17. ORIGINAL'.



PERIODIC INSPECTION RECORDKEEPING REQUIREMENTS

Records to include:

- Inspector name
- Motor carrier
- Date
- Vehicle
- Components inspected
- Maintain for 14 months



QUALIFIED PERIODIC INSPECTOR

Who is qualified to perform Periodic Inspections?

ANNUAL VEHICLE INSPECTION - INSPECTOR CERTIFICATION

Motor Carrier _____ Date _____
 Location (street) _____
 (city, state, ZIP) _____
 Telephone No. (____) _____ Fax No. (____) _____

 Name of Inspector (print) _____ Employee I.D. _____

§396.19 Inspector Qualifications:
 (a) It shall be the motor carrier's responsibility to ensure that the individual(s) performing an annual inspection under §396.17(d) or (e) is qualified as follows:
 (1) Understands the inspection criteria set forth in 49 CFR Part 393 and Appendix G of this subchapter and can identify defective components;
 (2) Is knowledgeable of and has mastered the methods, procedures, tools and equipment used when performing an inspection; and
 (3) Is capable of performing an inspection by reason of experience, training, or both as follows:

I AM A QUALIFIED ANNUAL VEHICLE INSPECTOR BASED ON THE FOLLOWING:
 (Check (✓) and complete the appropriate sections)

_____ (i) Successfully completed a State or Federal - sponsored training program or has a certificate from a State or Canadian Province which qualifies the person to perform commercial motor vehicle safety inspections.
 Name of Program/Certificate _____
 Date _____ Location _____
 _____ (ii) Have a combination of training and/or experience totaling at least one (1) year. Such training and/or experience may consist of:
 _____ (A) Participation in a truck manufacturer-sponsored training program or a similar commercial training program designed to train students in truck operation and maintenance;
 Name of Program _____ How Long? _____
 _____ (B) Experience as a mechanic or inspector in a motor carrier maintenance program;
 Name of Motor Carrier _____ How Long? _____
 _____ (C) Experience as a mechanic or inspector in truck maintenance at a commercial garage, fleet leasing company, or similar facility;
 Name of Facility _____ How Long? _____
 _____ (D) Experience as a commercial vehicle inspector for a State, Provincial, or Federal Government.
 Name of Government Agency _____ How Long? _____

Note: Combination of (A), (B), (C), and/or (D) must total at least one year

_____ Signature of Inspector _____ Date _____

I hereby certify that the above-mentioned mechanic/inspector meets the requirements for a qualified inspector to perform the annual vehicle inspection in compliance with the U.S. Department of Transportation regulations for qualified inspectors.

_____ Name of Owner/Supervisor (print) _____ Signature of Owner/Supervisor _____
 _____ Date _____



EQUIVALENT TO PERIODIC INSPECTION

Under 396.23

- You may meet the through a State or other jurisdiction's roadside inspection program



QUALIFIED BRAKE INSPECTORS

Under 396.25

- No motor carrier may require or permit any employee who does not meet the minimum brake inspector qualifications to be responsible for the inspection, maintenance, service or repairs of any brakes on its commercial motor vehicles

Requirements :

- Understand
- Knowledge of and has mastered brake service
- Training or experience



BRAKE INSPECTOR QUALIFICATIONS

BRAKE INSPECTOR QUALIFICATIONS

Certification — 49 CFR — Part 396.25

“Brake Inspector” means any employee of a motor carrier who is responsible for ensuring all brake inspections, maintenance, service, or repairs to any commercial motor vehicle, subject to the motor carrier’s control, meet the applicable Federal standards.

No motor carrier shall require or permit any employee who does not meet minimum brake inspector qualifications to be responsible for the inspection, maintenance, service or repairs of any brakes on its commercial motor vehicles.

Minimum Qualifications

- Understands and can perform brake service and inspection
- Is knowledgeable of and has mastered the methods, procedures, tools and equipment necessary to perform brake service and inspection
- Is capable of performing brake service or inspection by reason of experience, training, or both, and qualifies in one of the following categories (check all that apply):
 - I. Has successfully completed an apprenticeship program sponsored or approved by a State, Canadian Province, a Federal agency or labor union, or has a certificate from a State or Canadian Province which qualifies the person to perform brake service or inspections. Specify:

 - or
 - II. Has brake-related training or experience or a combination thereof totaling at least one year as follows (check all that apply):
 - A. Participation in a brake maintenance or inspection training program sponsored by a brake or vehicle manufacturer or similar commercial training program. Where and Date:

 - B. ____ (years) experience performing brake maintenance or inspection in a motor carrier maintenance program. Name and Date:

 - C. ____ (years) experience performing brake maintenance or inspection at a commercial garage, fleet leasing company, or similar facility. Name of Facility and Dates:

I certify the above information is true and accurate to the best of my knowledge.

Employee _____
Signature of Mechanic/Inspector Date

Motor Carrier/Company _____
Signature of Employer/Supervisor Date

Evidence of Inspector Qualifications are on file at: _____



QUESTIONS?

